

Figure 1A

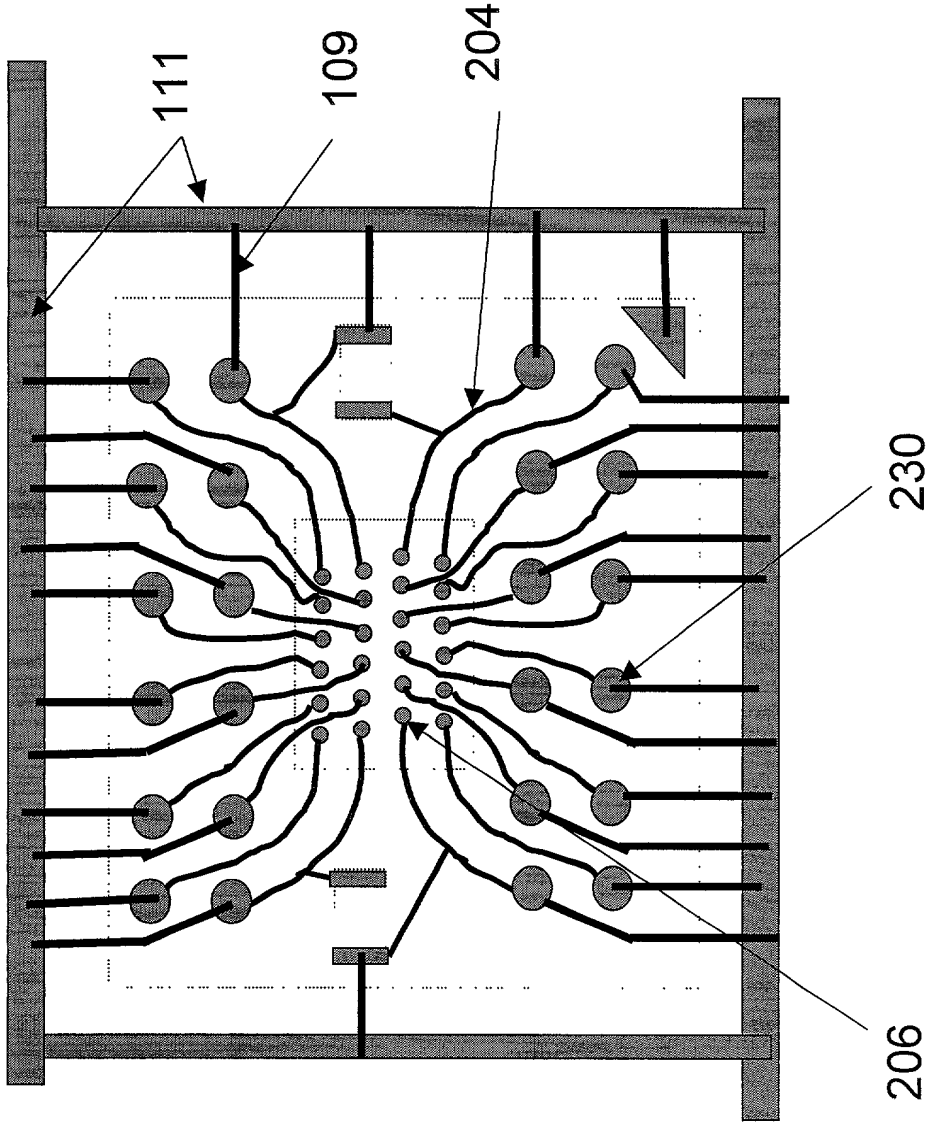


Figure 1B

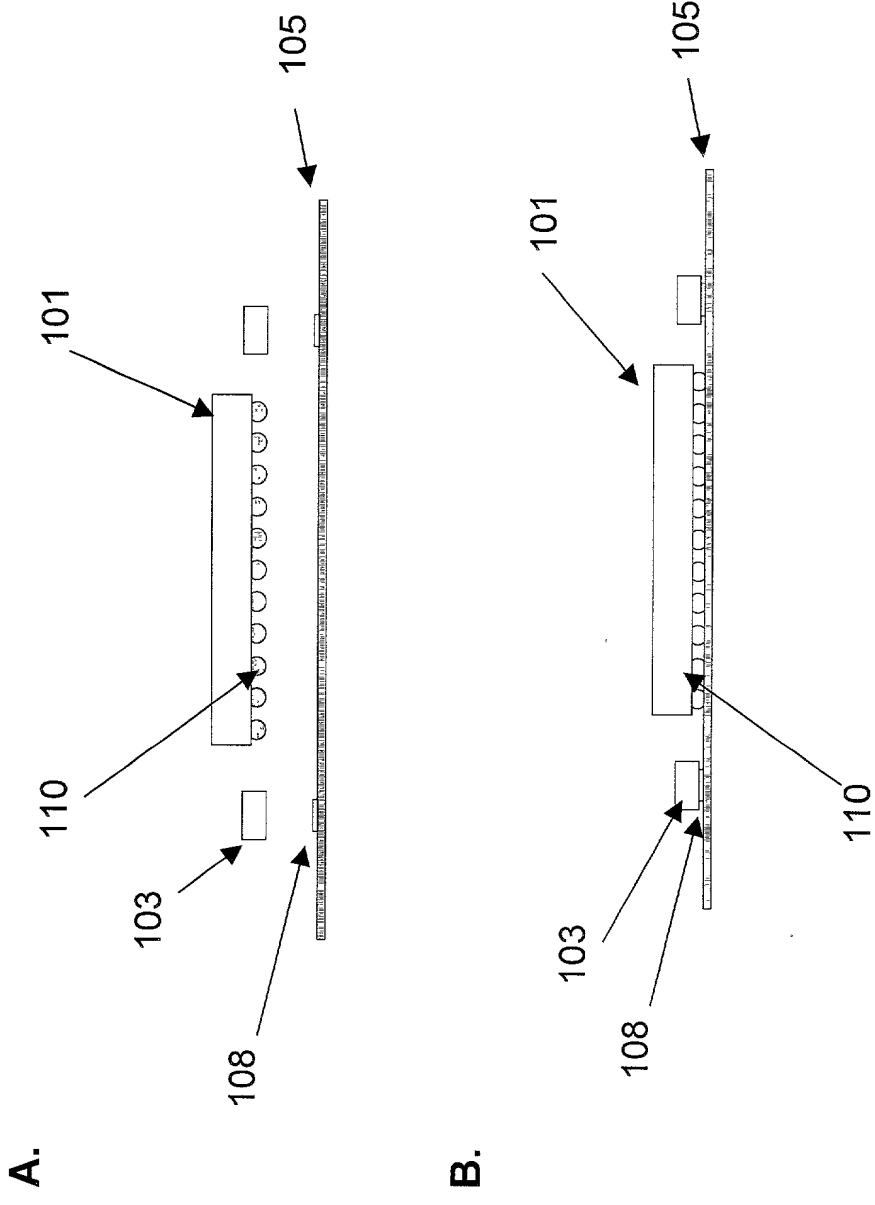


Figure 2

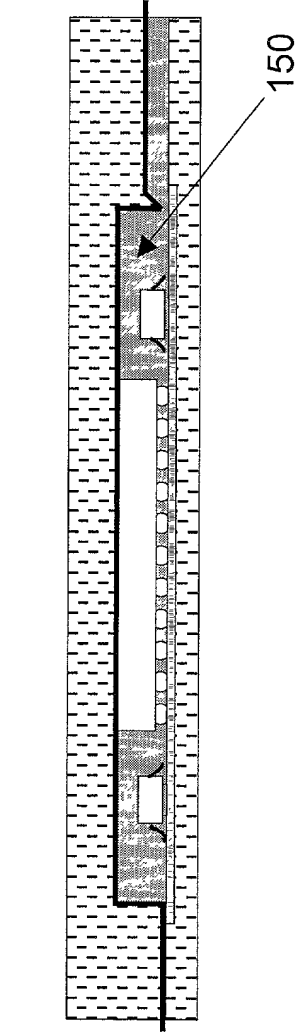
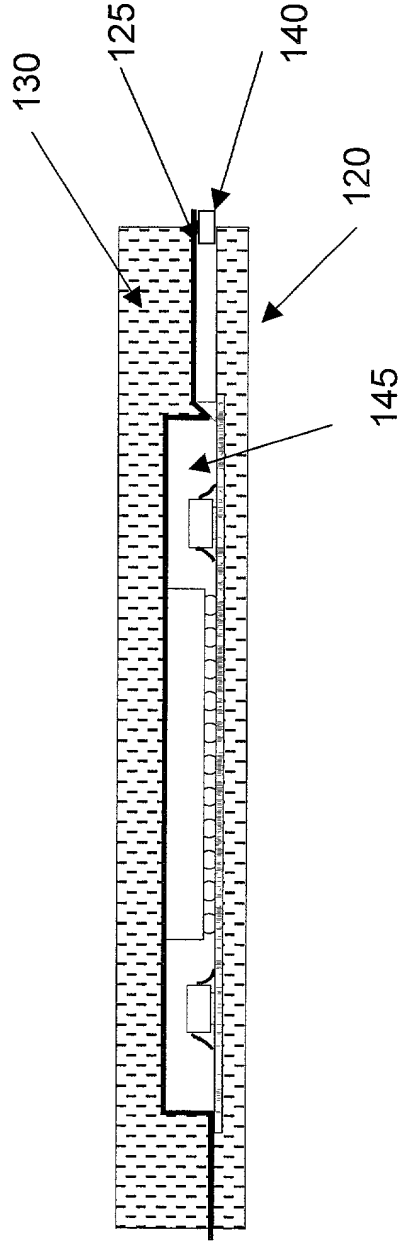
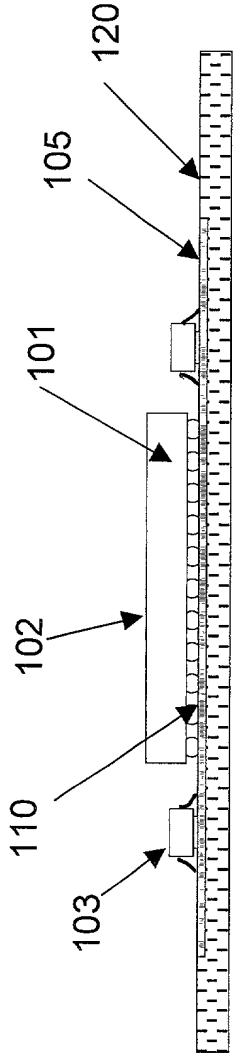
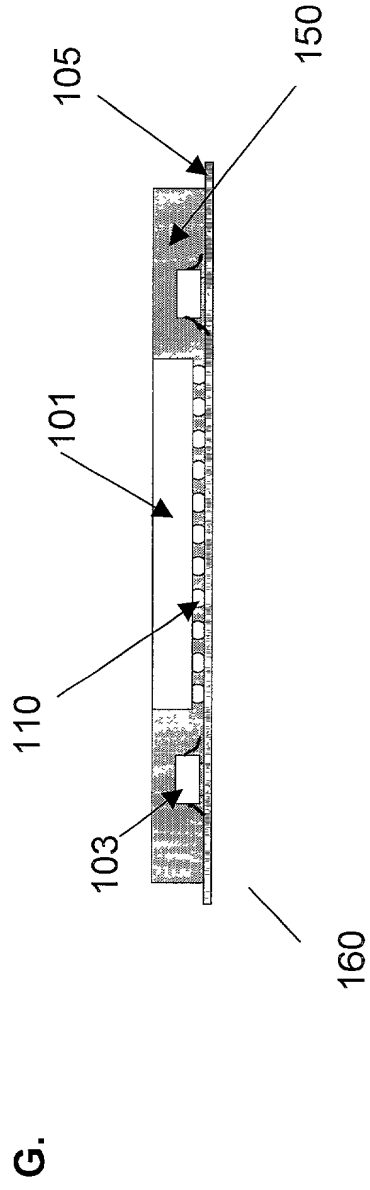
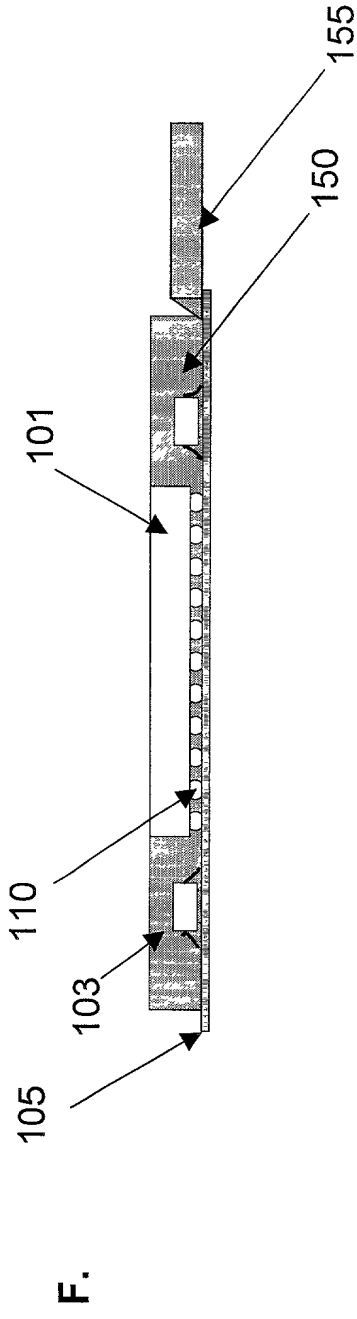


FIG. 2



**FIG. 2**

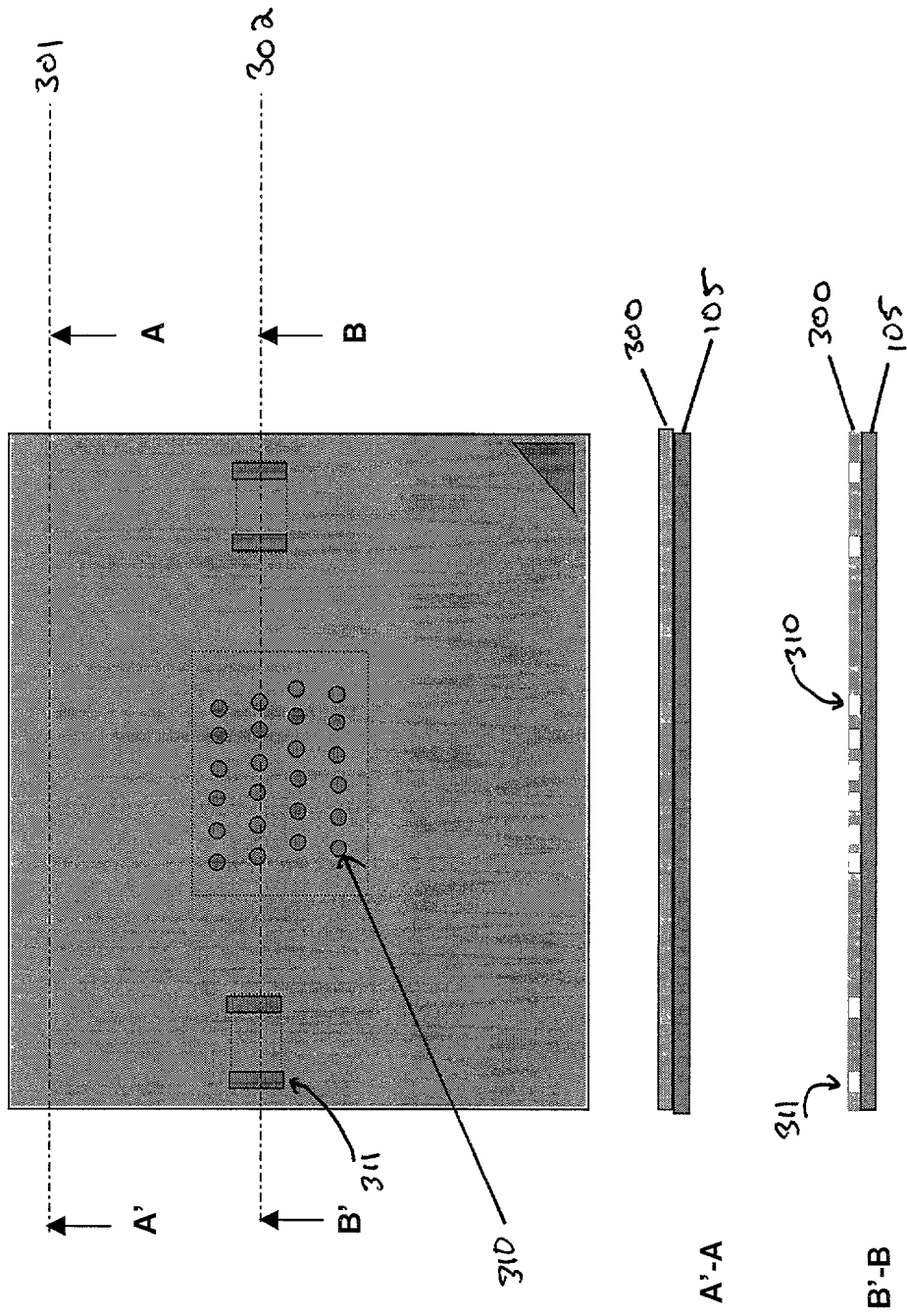


Figure 3A

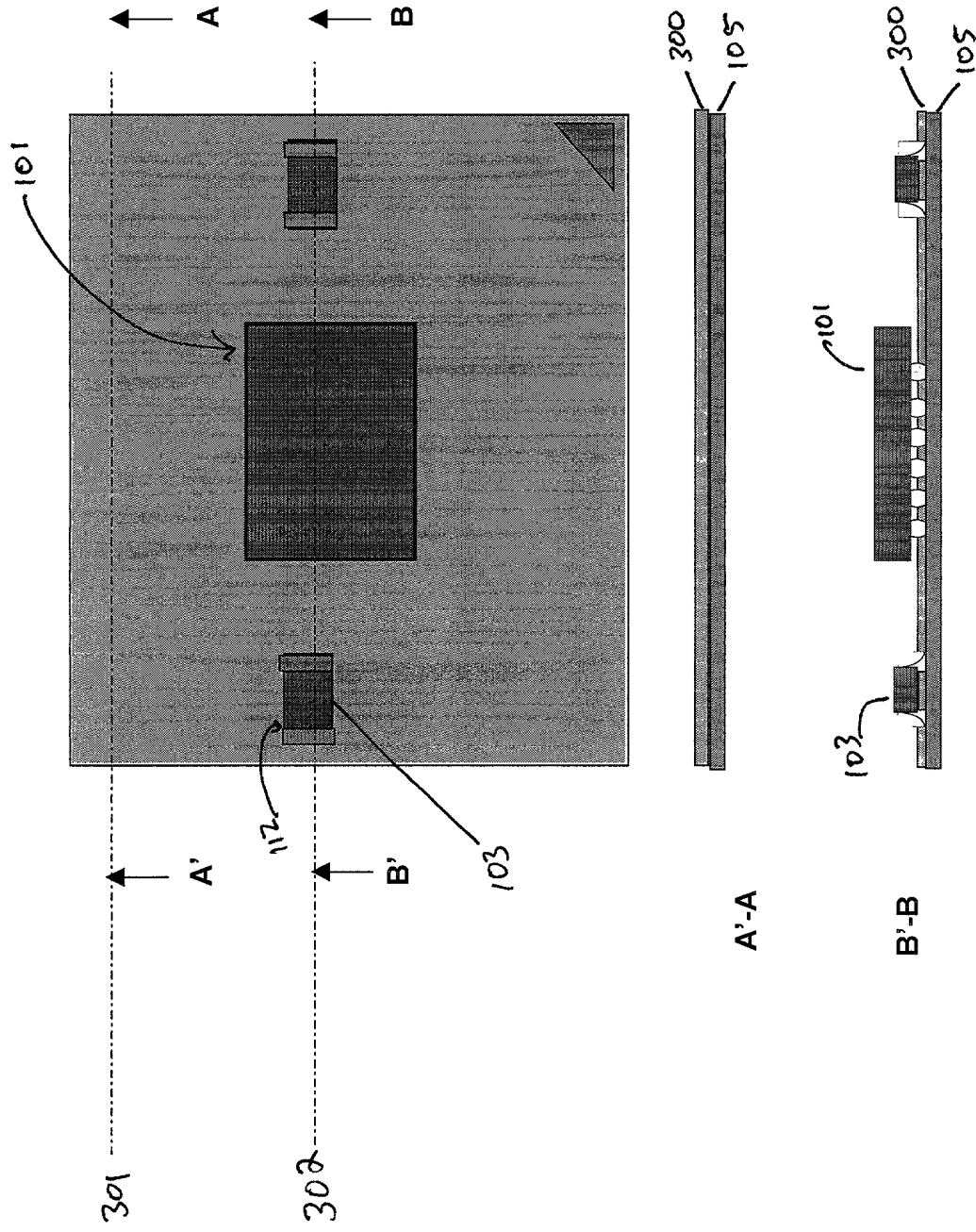


Figure 3B

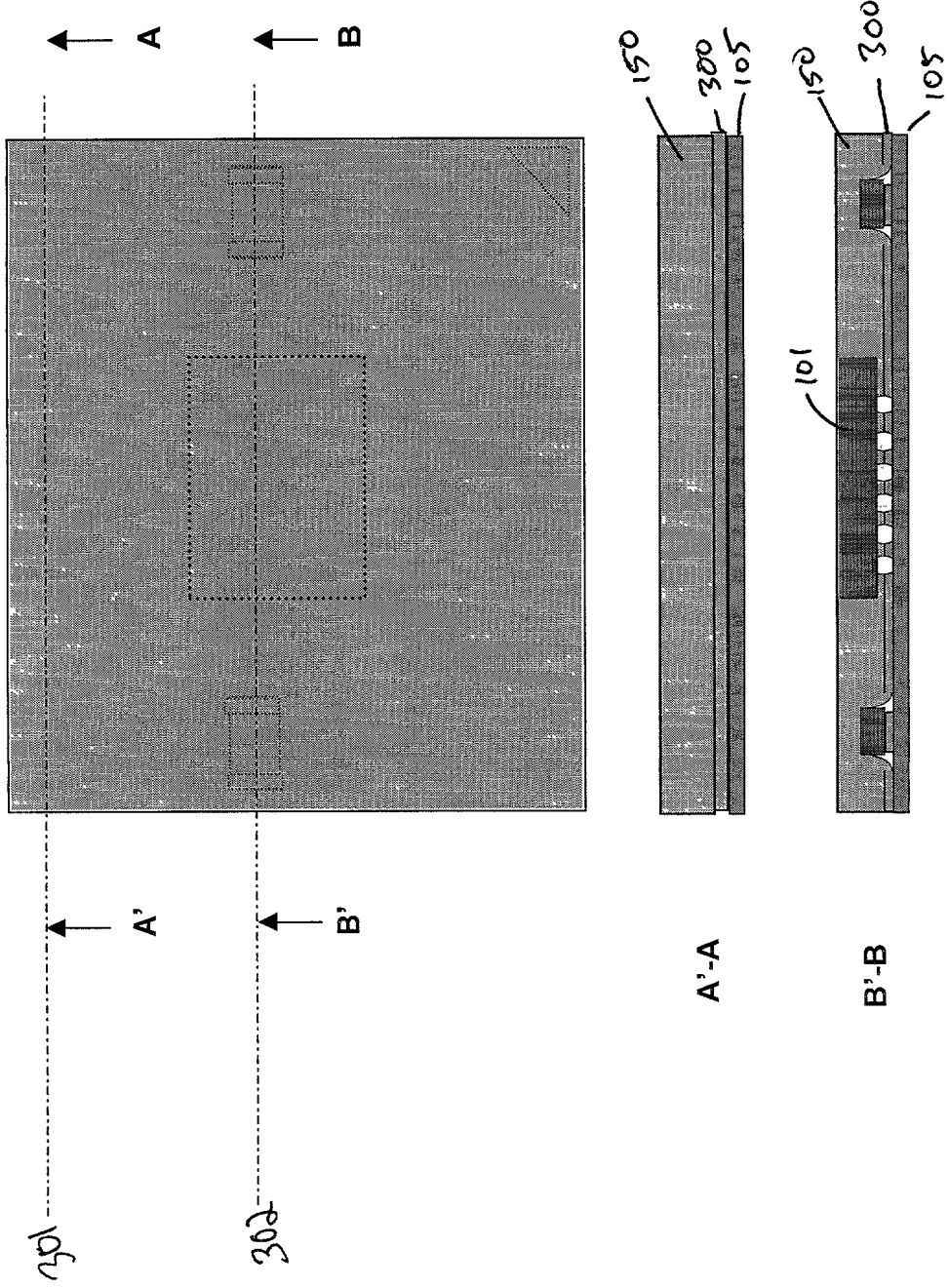


Figure 3C



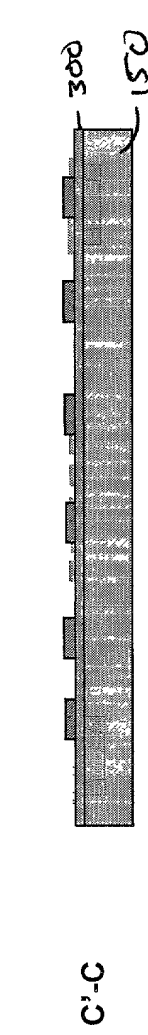
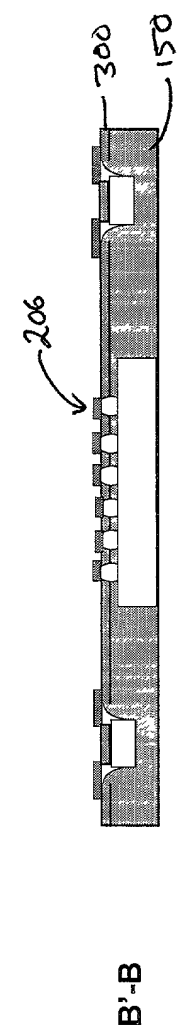
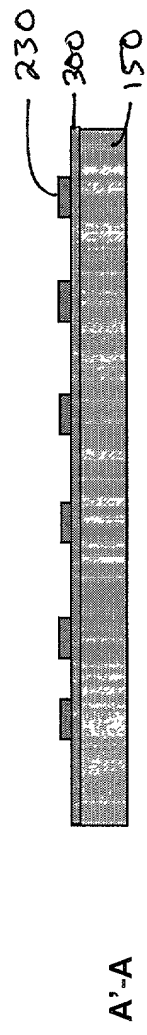
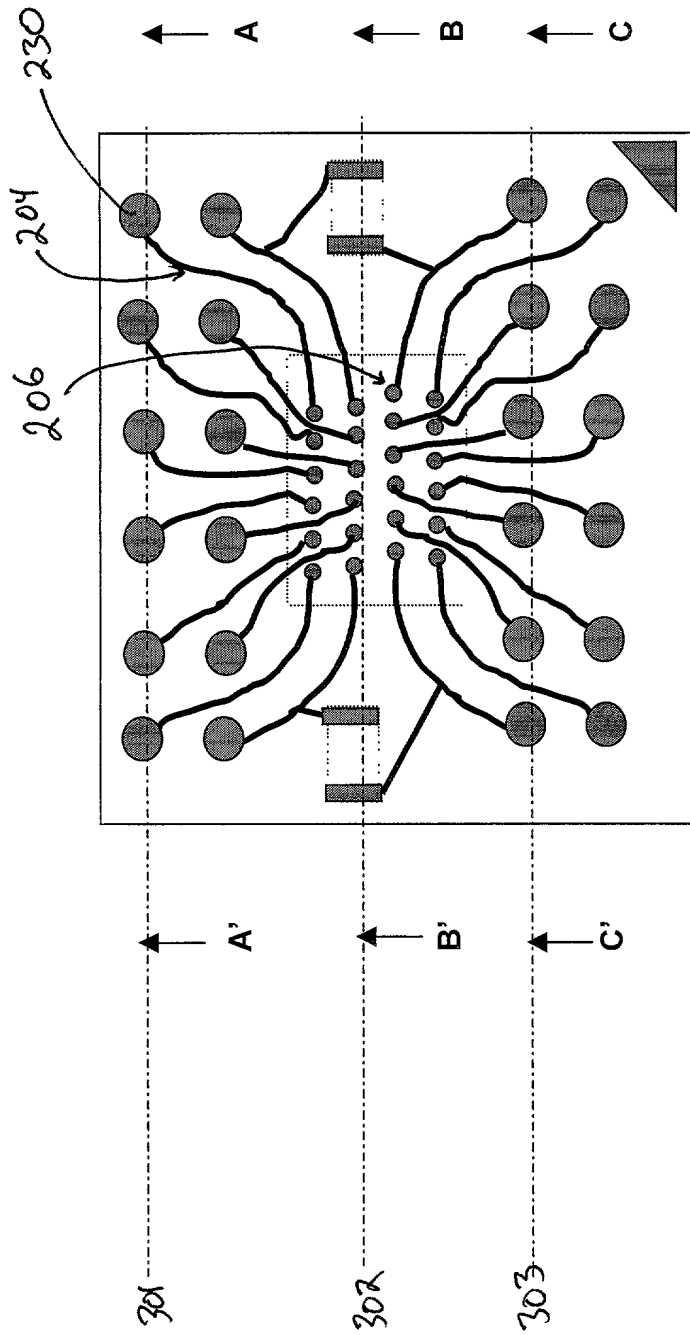


Figure 3D

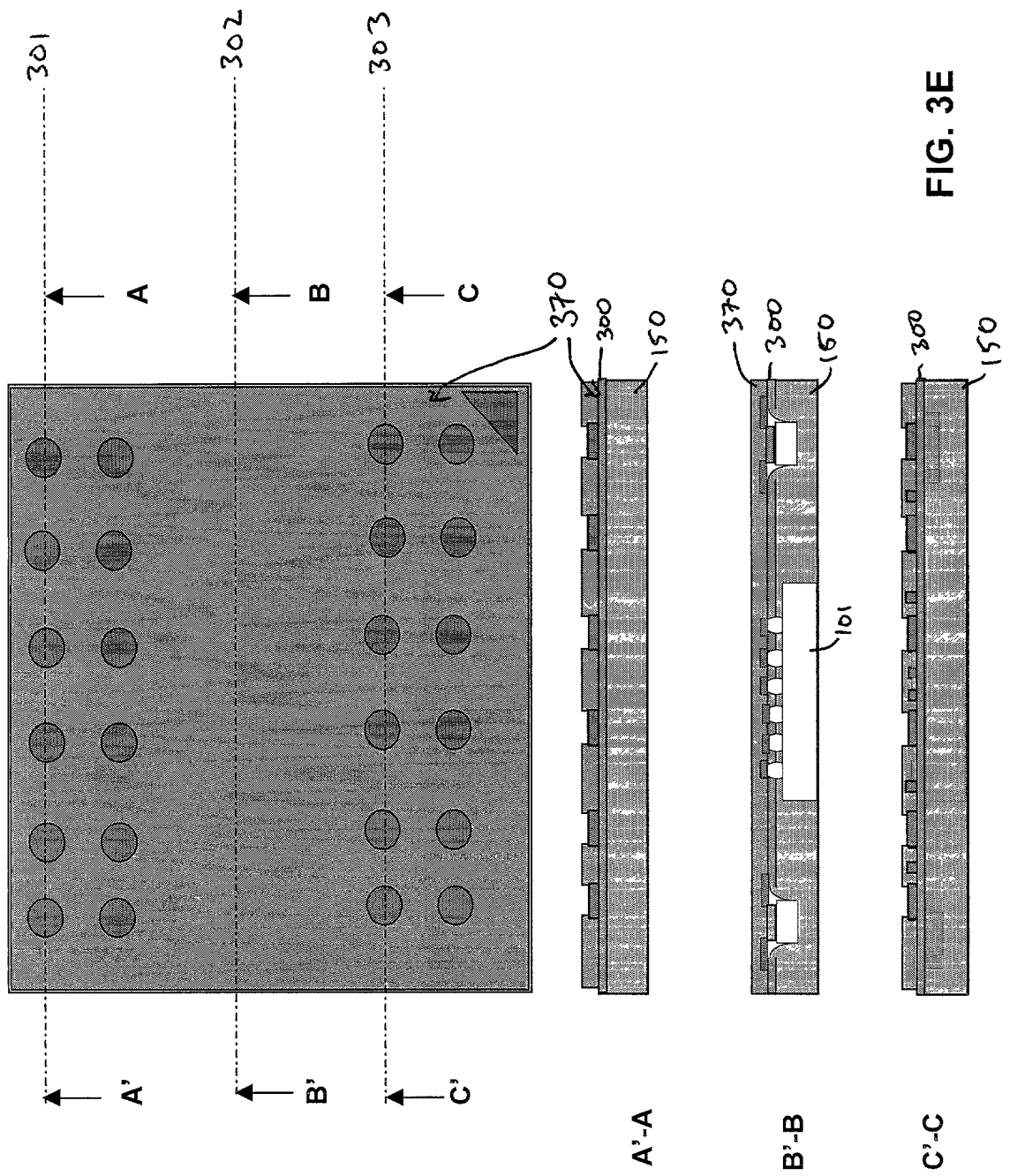


FIG. 3E

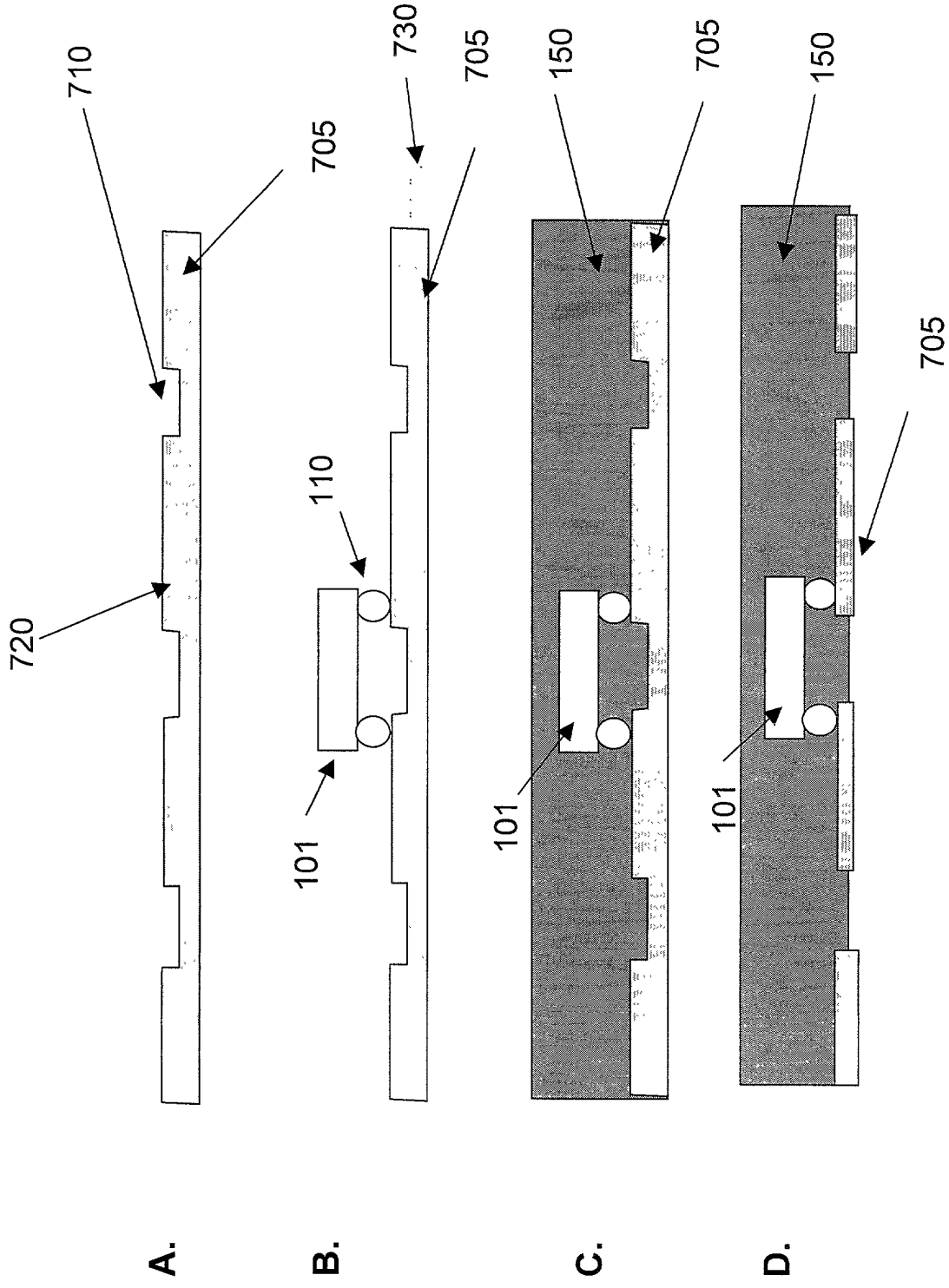


FIG. 4

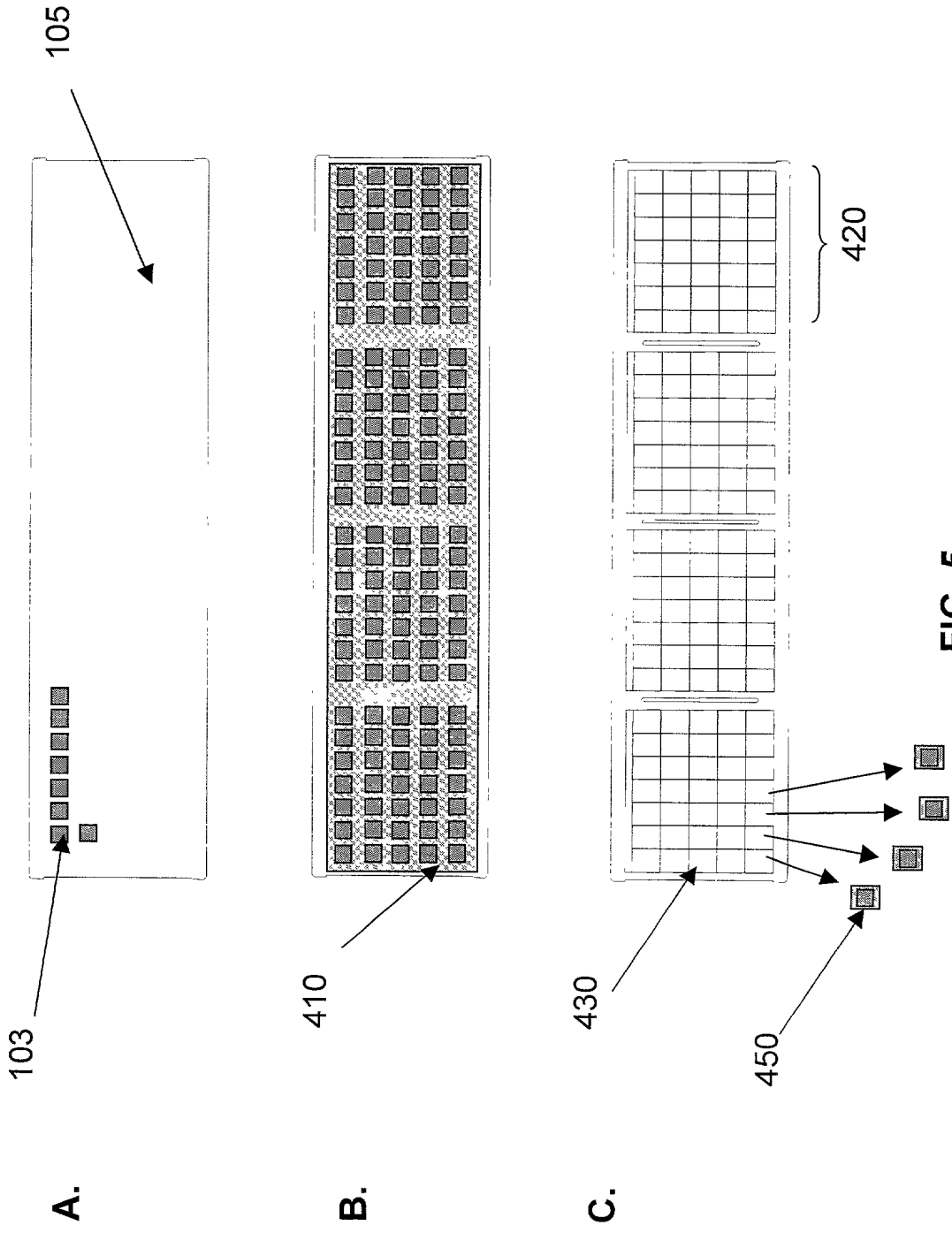


FIG. 5

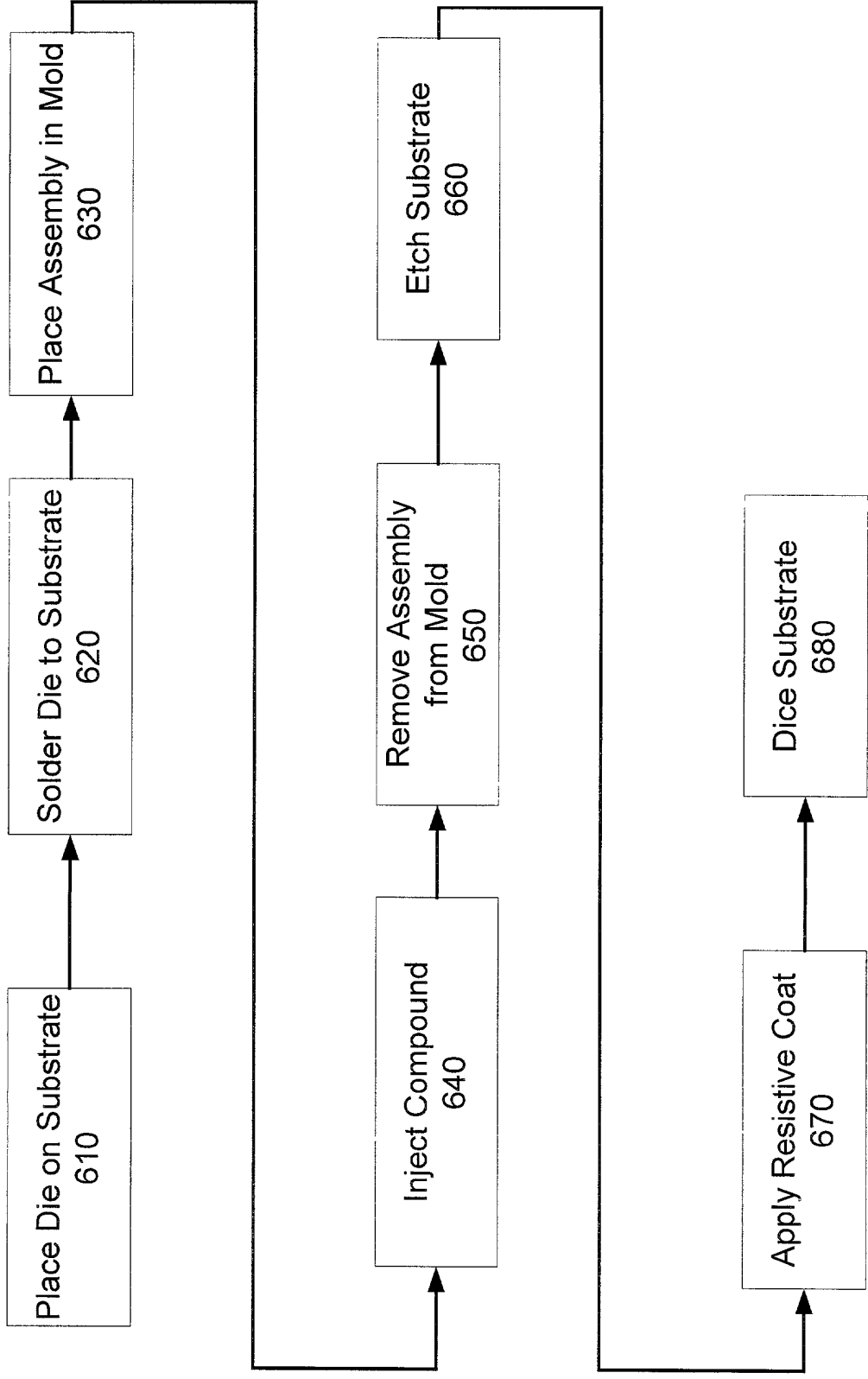


Figure 6

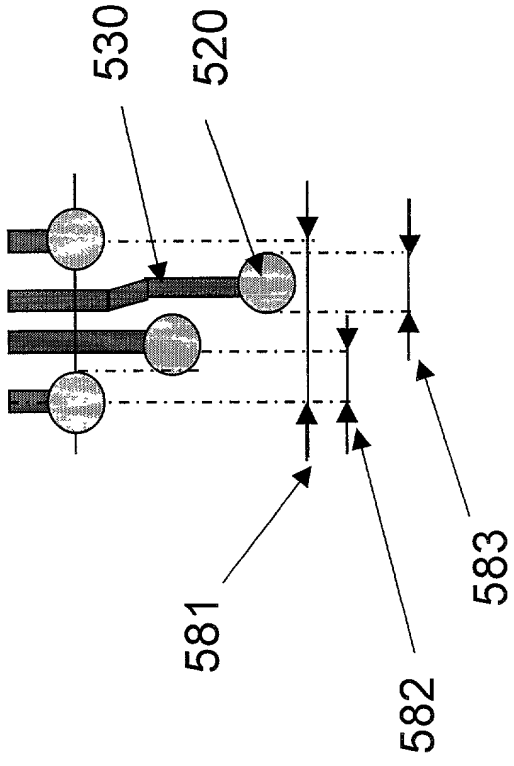


FIG. 7

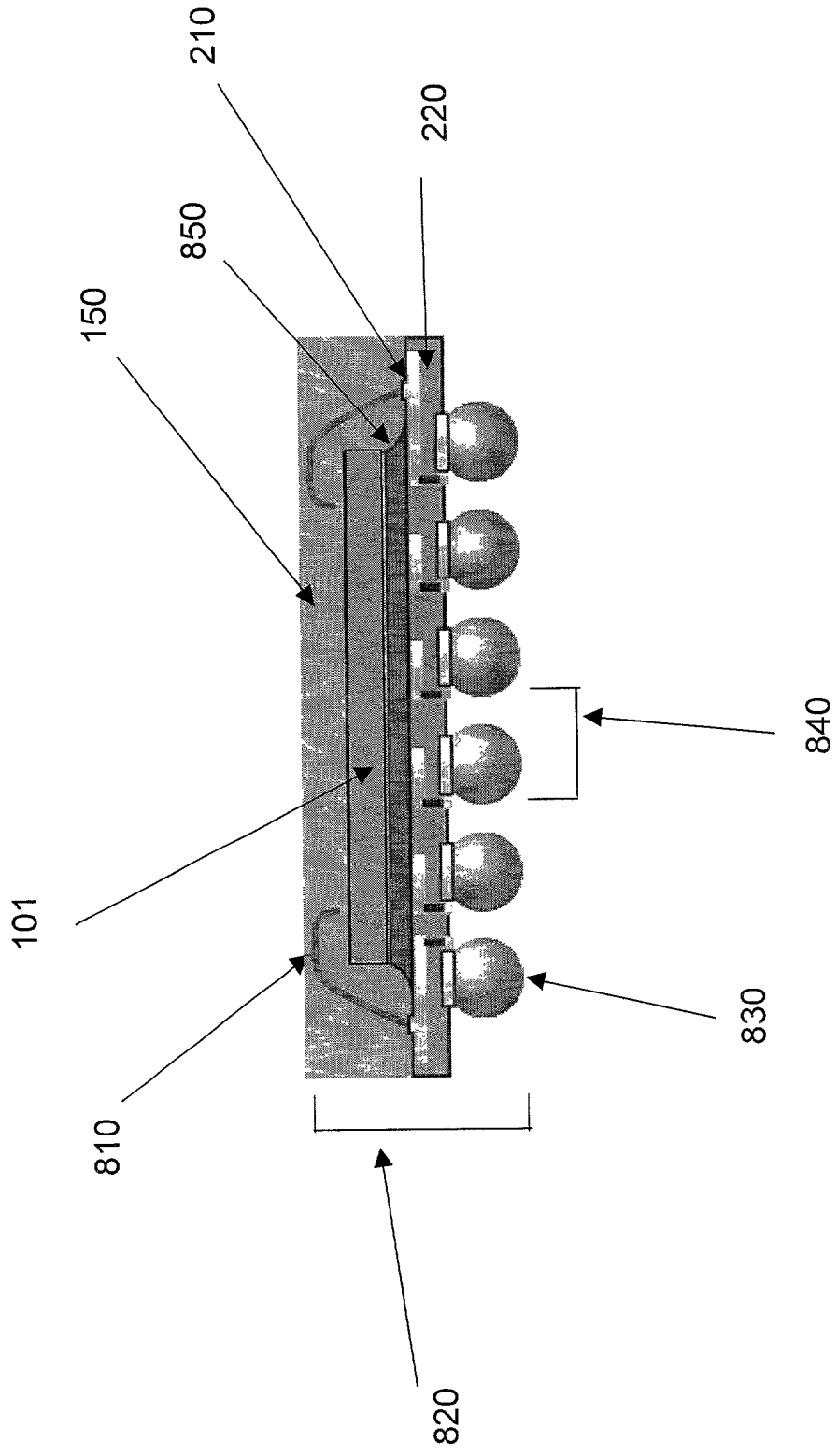


FIG. 8